

Pioneering for You

wilo

HVAC OEM Competence Centre

Yonos PARA High Flow **/12 Datasheet



ErP
READY

APPLIES TO
EUROPEAN
DIRECTIVE
FOR ENERGY
RELATED
PRODUCTS

Yonos PARA High Flow **/12



Field of application

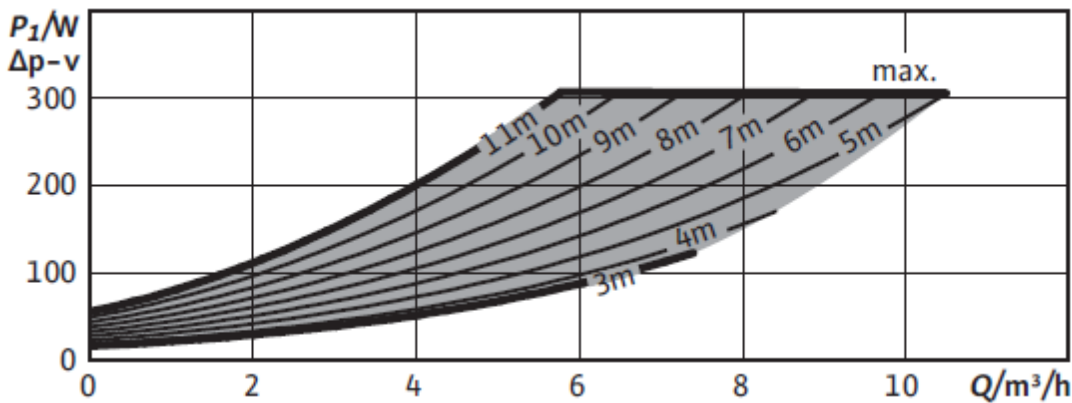
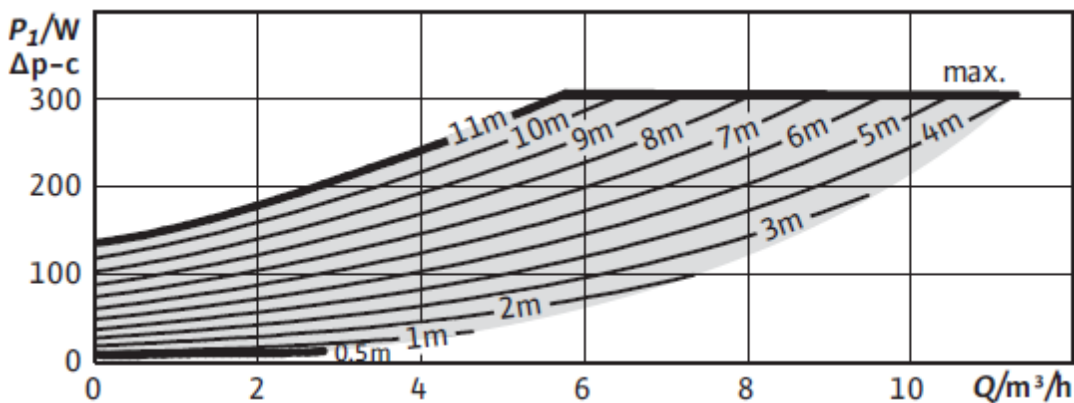
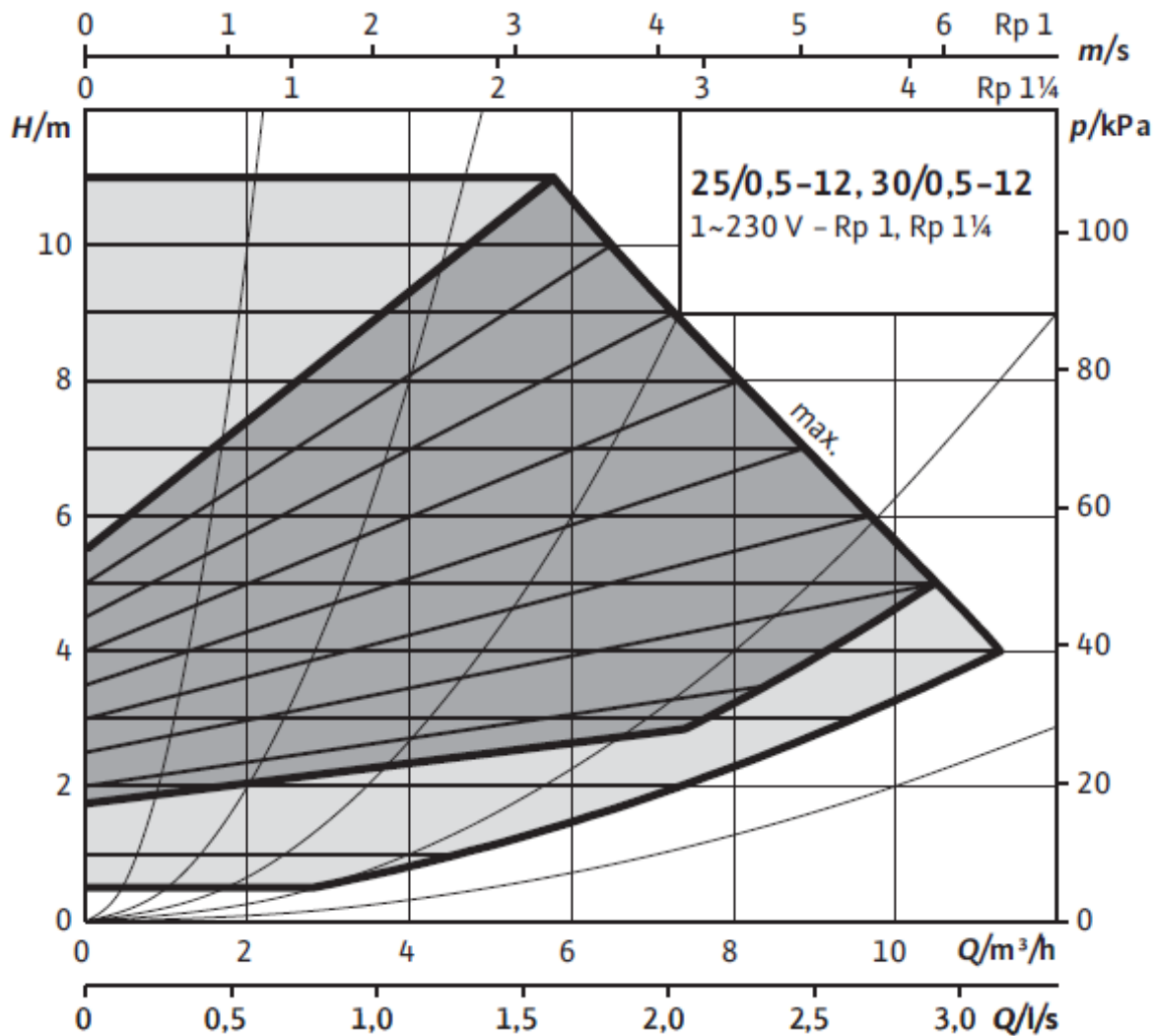
Hot-water heating systems of all kinds, air-conditioning systems, closed cooling circuits, industrial circulation systems.

Yonos PARA High Flow 25/12

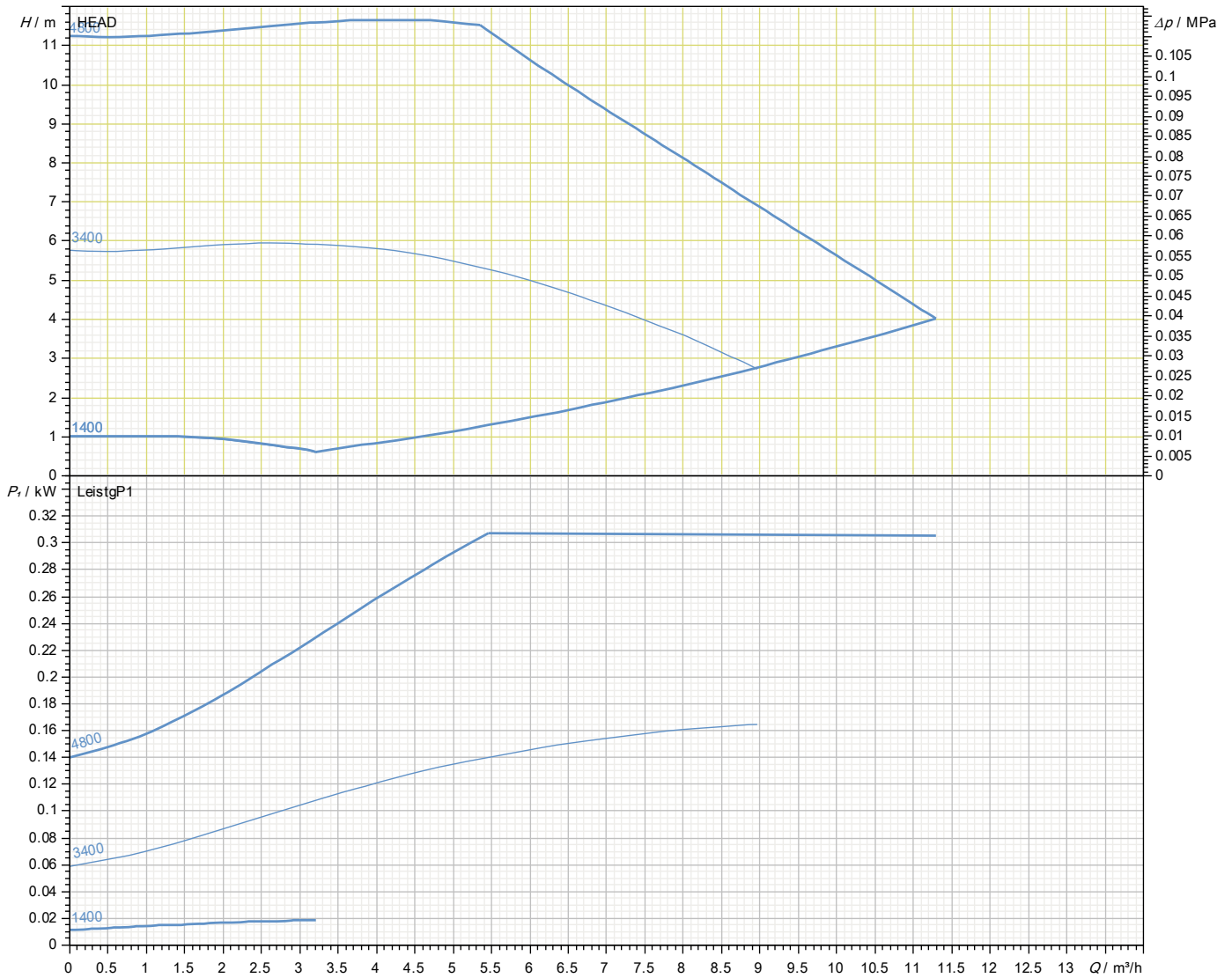
Yonos PARA High Flow Electronically controlled High Efficiency pump

25	Nominal threaded connection DN25 (DN30: also available)
12	0.5-12 = delivery head in [m] at Q = 11 m ³ /h

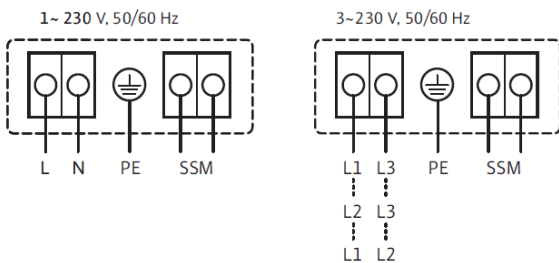
Hydraulic operational area $\Delta p-v / \Delta p-c$



Hydraulic operational area n_const

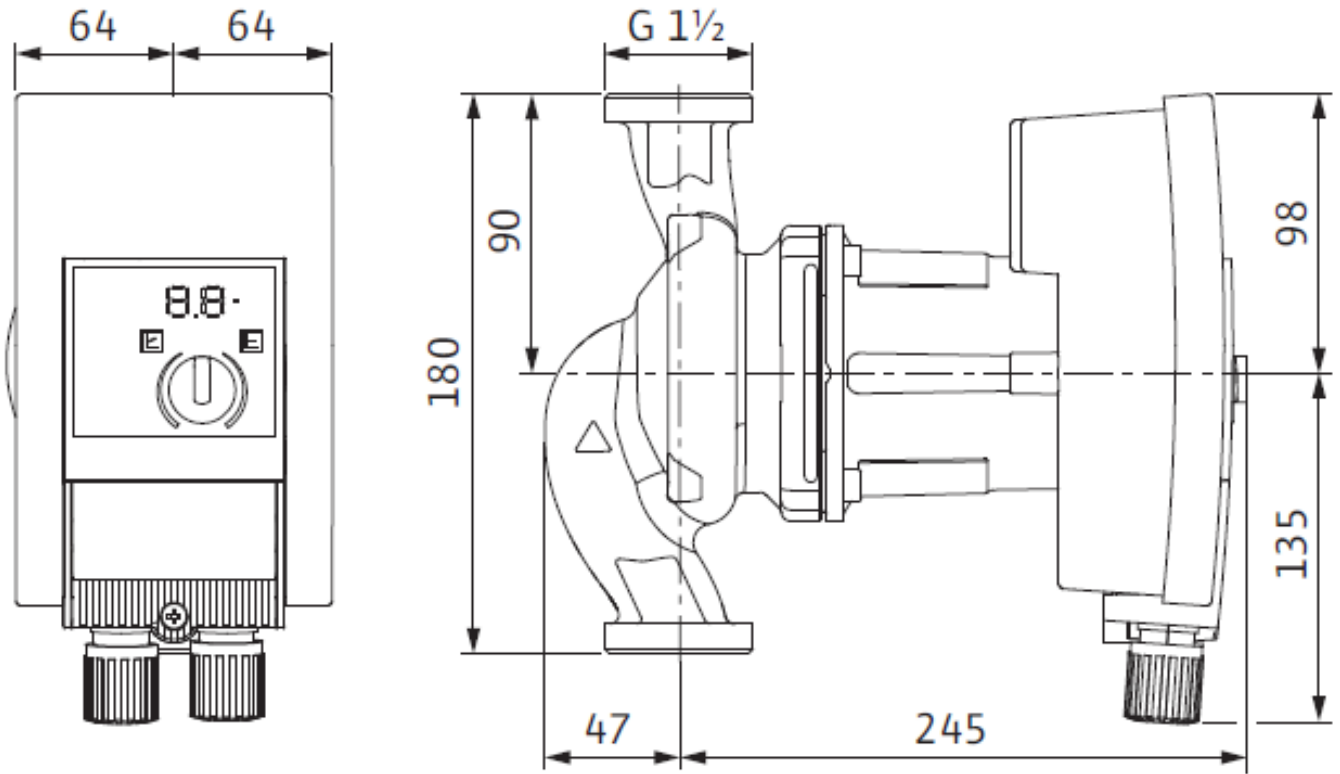


Electrical connections



SSM	Collective fault signal (NC contact according to VDI 3814, load capacity 1A, 250V~)
Mains cable	Short cable with overmoulded Molex 3 ways connector on demand

Dimensions



Approved fluids (other fluids on request)	Heating water (in accordance with VDI 2035) Water-glycol mixtures (max. 1:1; above 20% admixture, the pumping data must be checked)
--	--

Power

Energy Efficiency Index (EEI)	≤ 0,23
Max. delivery head	11 m
Max. volume flow	11 m ³ /h

Permitted field of application

Temperature range for applications in HVAC systems at max. ambient temperature. Limit values for continuous operation at maximum rated power	Fluid temperature -20°C to +110°C Ambient temperature -20°C to +40°C The pump is controlled by a power-limiting function that protects against overload.
Maximum static pressure	PN 10

Electrical connection

Mains connection	1~230V, 50/60Hz, in accordance with DIN IEC 60038
------------------	---

Motor/electronics

EC Machinery directive	2006/42/EG Conform
Electromagnetic compatibility	Directive 2004/108/EG
Emitted interference	EN 61000-6-3
Interference resistance	EN 61000-6-2
Protection class	IPx4D
Insulation class	F
RoHS / REACH	Not submitted

Minimum suction head at suction port to avoid cavitation at water pumping temperature

Minimum suction head at 50/95/110°C	3 / 10 / 16 m
-------------------------------------	---------------

Motor data

Yonos PARA High Flow	Speed	Power consumption 1-230 V	Current at 1-230 V	Motor protection
	n	P1	I	-
	rpm	W	A	-
**/12	1000 - 4800	10 - 305	0.15 - 1,33	Integrated

Materials

Yonos PARA High Flow	Pump housing	Impeller	Pump shaft	Bearing
**/12	Grey cast iron (EN-GJL-200)	PPE composite with GF 30%	Stainless steel (X30Cr13)	Carbon, metal impregnated



WILO
HVAC OEM Competence Centre

50 av. Casella
18700 - Aubigny sur Nère
France
T +33 2 48 81 62 62
information@wilointec.com
www.wilointec.com

Pioneering for You